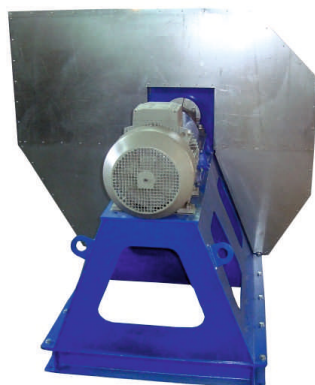




HIGH PRESSURE CENTRIFUGAL FANS

SICF-HP: single inlet, centrifugal fan, high pressure



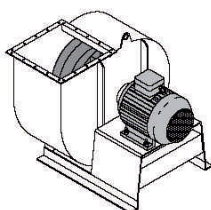
fan in thermal & sound enclosure

Application: used for clean air movement, up to max. temperature of medium 60°C (continuous duty)

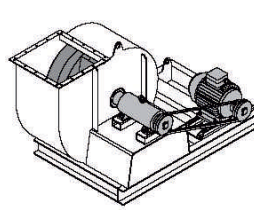
Casing: made of steel, with cleanout door and drain hole, with anti-corrosion protection (either hot dip galvanized or paint coating)

Drive:

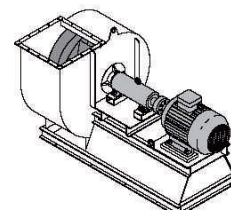
- direct drive with foot mounted motor D3 (standard) – type drive 1
- direct with flange mounted D5 motor – type drive 1
- belt drive – type drive 2
- coupling drive – type drive 4



direct drive (drive 1)



belt drive (drive 2)



coupling drive (drive 4)

Sizes: 250 - 1120

Motor:

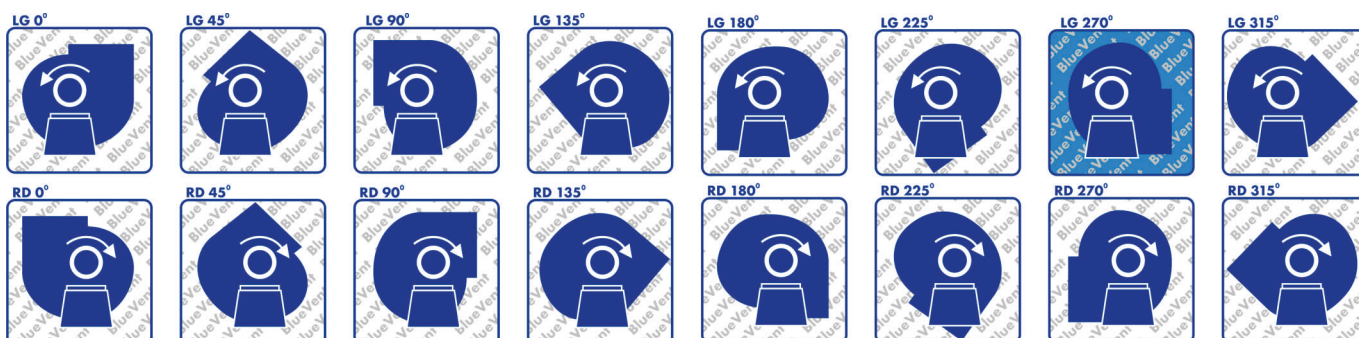
- motor with IP55, insulation class F
- voltage 400V/690V, 50 Hz

Customized solutions:

- Fans with higher IP, with different than standard voltage and frequency, with motor ready for inverter
- Fans for continuous duty working in temperatures of 150 °C, 300 °C or 400 °C
- Fans for movement of other than clean air: fume exhaust, dust control and others.
- Any casing positions

Casing position:

Standard fan position is LG 270

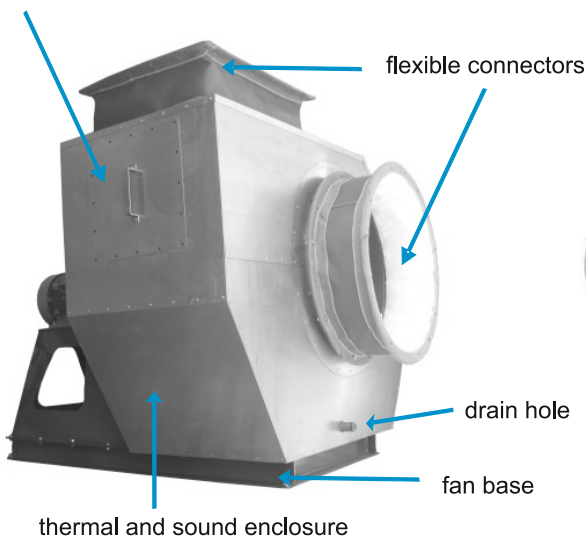




Additional accessories:

- Inlet grid
- Motor base
- Vibration isolation pads
- Flexible connections
- Thermal & sound enclosure
- Suction box
- Silencer
- Cooling disk

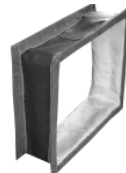
cleanout door



silencer



suction box



vibration pads

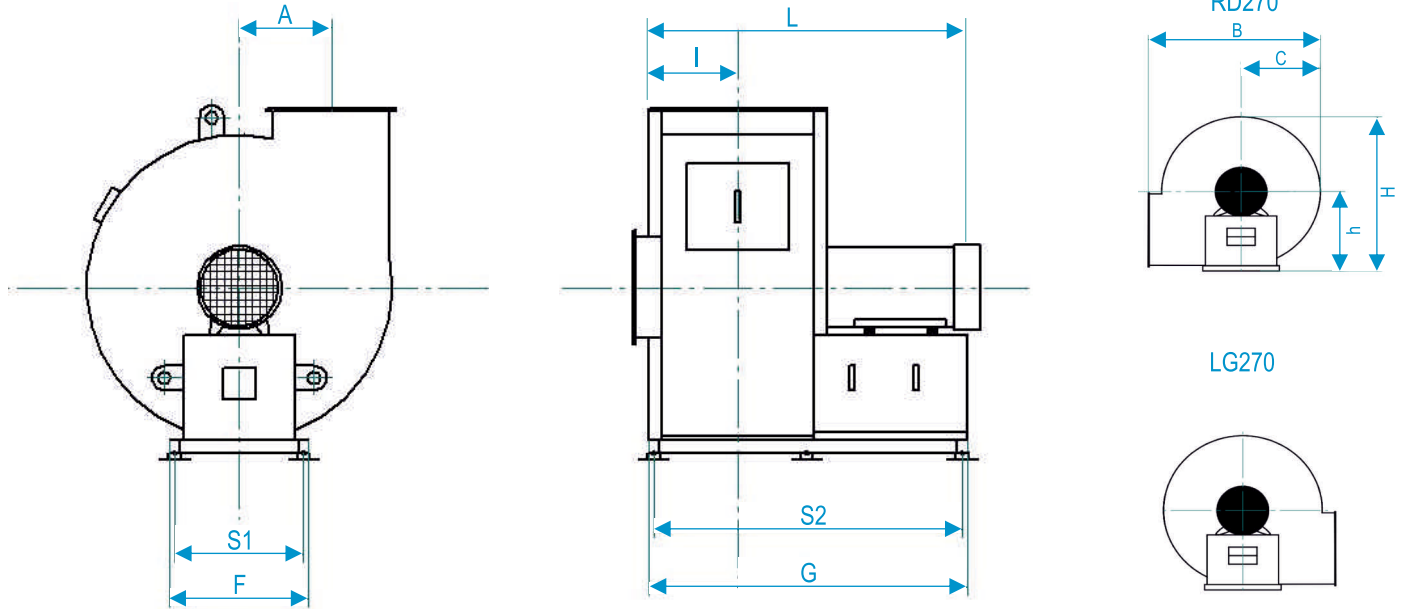
Coding:

SICF	—	HP	—	D3FU	—	900
fan type		pressure		drive		inlet diameter [mm]
SI - single inlet fan CF - centrifugal fan		LP - low MP - medium HP - high SHP - super high XHP - extra high XMHP - extra max high		B - belt (drive 2) C - coupling (drive 4) D - direct (drive 1) D3 - foot mounted D5 - flange mounted FU - inverter		



**DIRECT DRIVE
(drive 1)**

Dimensions [mm]:

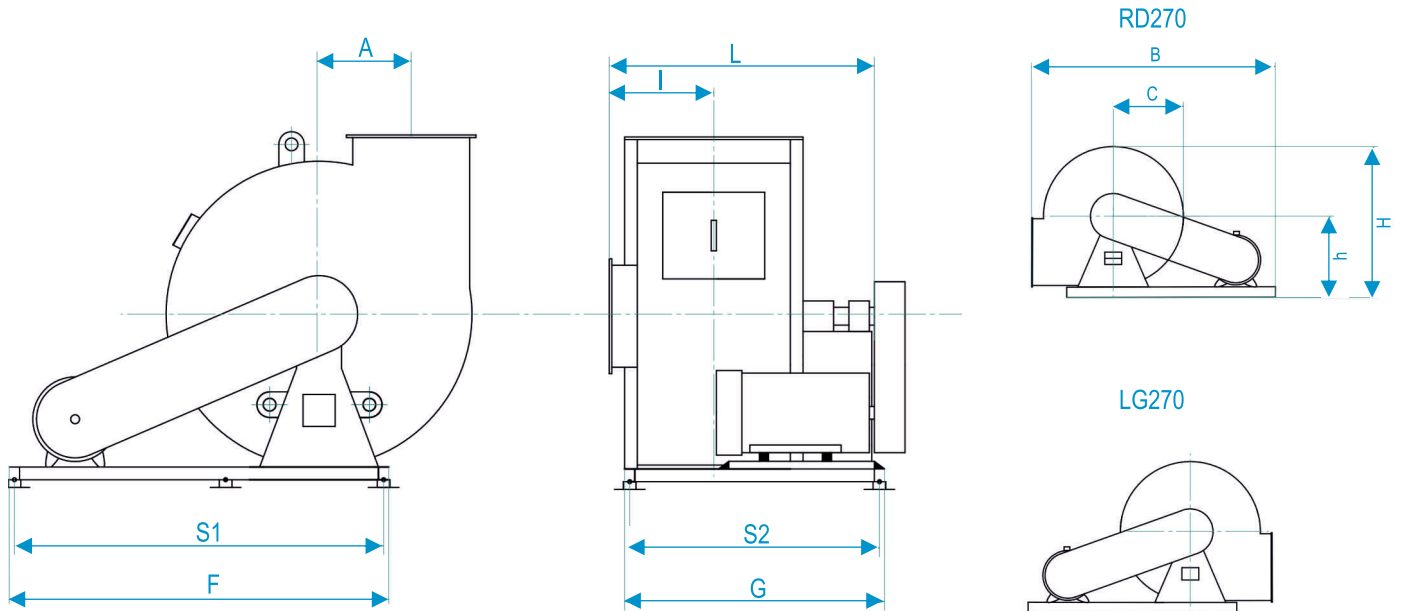


Type	Dimensions [mm]									Weight (without motor) [kg]
	B	C	H	h	A	F	G	L	I	
SICF-HP-D3-250	616	335	749	463	246	400	560	560	149	85
SICF-HP-D3-280	684	375	828	509	279	450	650	650	162	95
SICF-HP-D3-315	760	419	938	580	312	500	800	800	176	130
SICF-HP-D3-355	845	469	1037	637	350	560	850	850	190	160
SICF-HP-D3-400	935	525	1170	721	392	630	900	920	228	190
SICF-HP-D3-450	1057	587	1294	794	439	710	1000	1020	248	240
SICF-HP-D3-500	1178	658	1435	875	495	800	1120	1135	270	300
SICF-HP-D3-560	1259	737	1594	966	556	900	1250	1265	295	380
SICF-HP-D3-630	1468	830	1800	1093	622	1000	1300	1302	320	485
SICF-HP-D3-710	1645	930	2000	1206	697	1120	1400	1426	370	620
SICF-HP-D3-800	1837	1042	2223	1335	780	1250	1500	1522	407	770
SICF-HP-D3-900	2050	1167	2494	1500	874	1400	1700	1721	442	1030
SICF-HP-D3-1000	2289	1307	2774	1660	985	1600	1800	1827	492	1260
SICF-HP-D3-1120	2567	1465	3090	1842	1107	1800	2000	2027	542	1680



Dimensions [mm]:

**BELT DRIVE
(drive 2)**

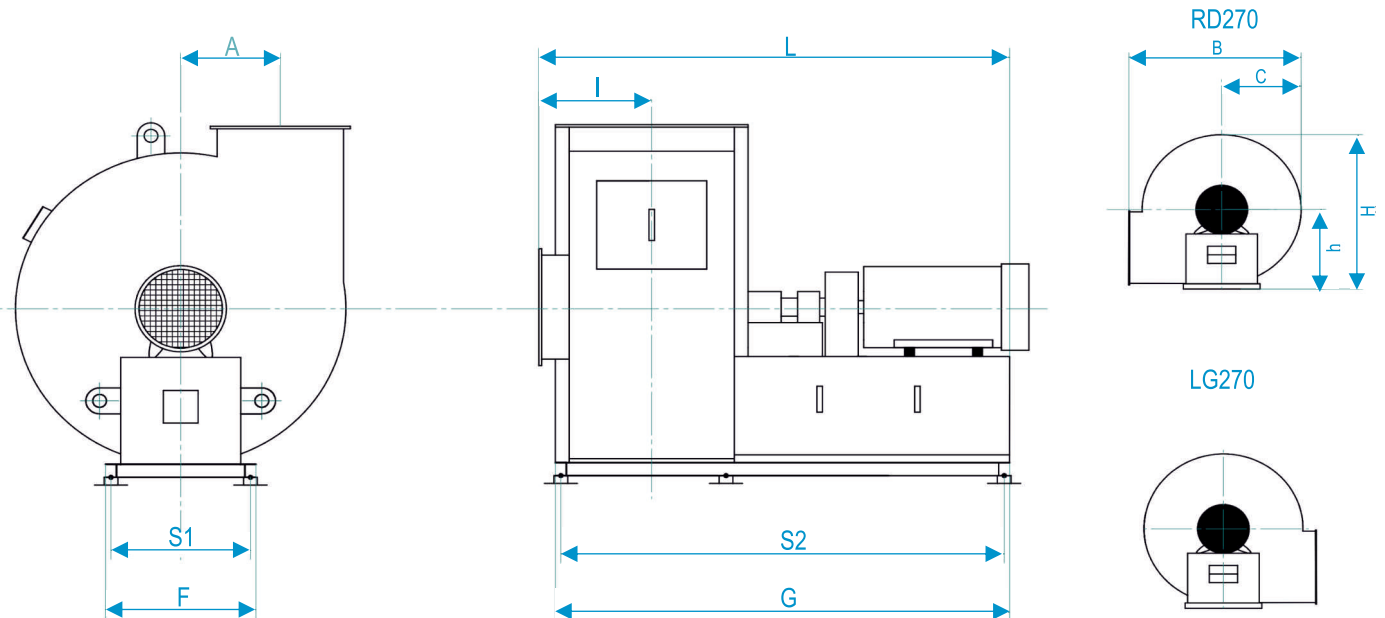


Type	Dimensions [mm]									Weight (without motor) [kg]
	B	C	H	h	A	F	G	L	I	
SICF-HP-B-250	981	700	749	463	246	900	600	900	149	110
SICF-HP-B-280	1084	775	828	509	279	1000	650	1020	162	130
SICF-HP-B-315	1211	870	938	580	312	1120	710	1150	176	160
SICF-HP-B-355	1346	970	1037	637	350	1250	800	1270	190	200
SICF-HP-B-400	1495	1085	1170	721	392	1400	850	1420	228	240
SICF-HP-B-450	1715	1245	1294	794	439	1600	950	1620	248	310
SICF-HP-B-500	1920	1400	1435	875	495	1800	1050	1820	270	380
SICF-HP-B-560	2072	1550	1594	966	556	2000	1200	2020	295	460
SICF-HP-B-630	2338	1700	1800	1093	622	2200	1300	2220	320	590
SICF-HP-B-710	2555	1840	2000	1206	697	2400	1350	2420	370	740
SICF-HP-B-800	2770	1975	2223	1335	780	2600	1400	2620	407	930
SICF-HP-B-900	2983	2100	2494	1500	874	2800	1600	2820	442	1210
SICF-HP-B-1000	3182	2200	2774	1660	985	3000	1750	3020	492	1470
SICF-HP-B-1120	3502	2400	3090	1842	1107	3500	1900	3520	542	1990



**COUPLING DRIVE
(drive 4)**

Dimensions [mm]:

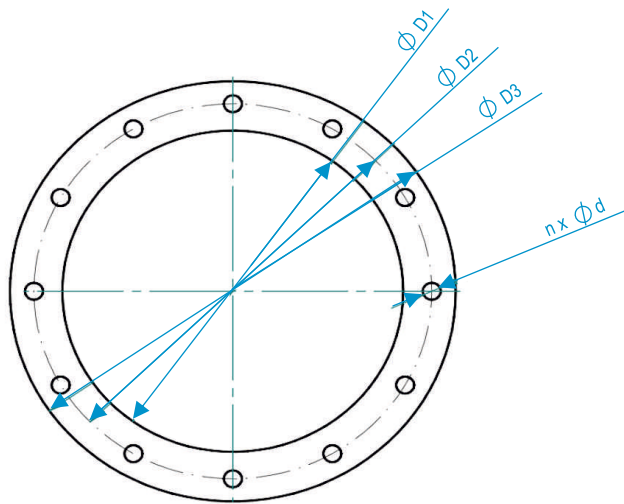


Type	Dimensions [mm]									Weight (without motor) [kg]
	B	C	H	h	A	F	G	L	I	
SICF-HP-C-250	616	335	749	463	246	400	1000	1000	149	110
SICF-HP-C-280	684	375	828	509	279	450	1120	1120	162	130
SICF-HP-C-315	760	419	938	580	312	500	1350	1350	176	160
SICF-HP-C-355	845	469	1037	637	350	560	1400	1400	190	200
SICF-HP-C-400	935	525	1170	721	392	630	1400	1420	228	240
SICF-HP-C-450	1057	587	1294	794	439	710	1600	1620	248	310
SICF-HP-C-500	1178	658	1435	875	495	800	1800	1820	270	380
SICF-HP-C-560	1259	737	1594	966	556	900	2000	2020	295	460
SICF-HP-C-630	1468	830	1800	1093	622	1000	2000	2020	320	590
SICF-HP-C-710	1645	930	2000	1206	697	1120	2100	2130	370	740
SICF-HP-C-800	1837	1042	2223	1335	780	1250	2200	2230	407	930
SICF-HP-C-900	2050	1167	2494	1500	874	1400	2400	2430	442	1210
SICF-HP-C-1000	2289	1307	2774	1660	985	1600	2550	2580	492	1470
SICF-HP-C-1120	2567	1465	3090	1842	1107	1800	2900	2930	542	1990

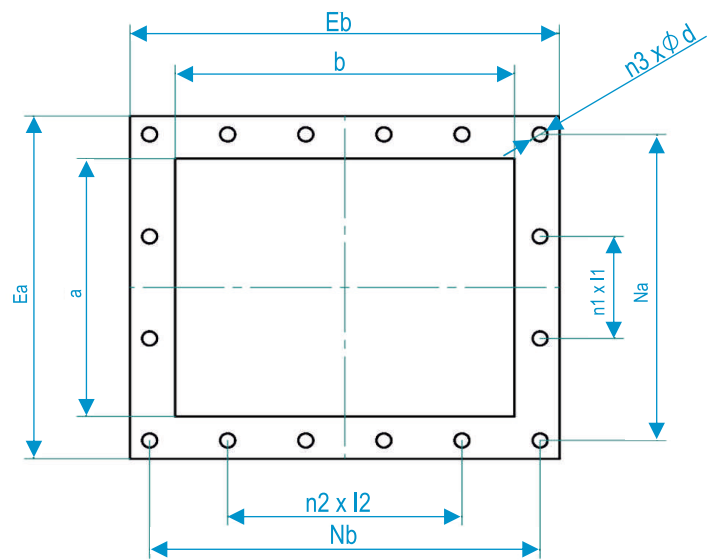


Flexible connections [mm]:

Inlet



Outlet



Type	Inlet connection				Outlet connection					
	D1	D2	k	n x d	a	b	Na	Nb	Ea	Eb
SICF-200	203	273	241	8x11,5	162	202	196	236	222	262
SICF-225	227	297	265	8x11,5	182	226	216	260	242	286
SICF-250	253	323	292	8x11,5	202	252	236	286	262	312
SICF-280	283	363	332	8x11,5	226	282	260	316	286	342
SICF-315	318	398	366	8x11,5	252	317	286	351	312	377
SICF-355	358	438	405	8x11,5	282	357	316	391	342	417
SICF-400	404	484	448	12x11,5	317	402	351	436	377	462
SICF-450	454	534	497	12x11,5	357	452	391	512	457	552
SICF-500	504	584	551	12x11,5	402	502	436	562	502	602
SICF-560	564	664	629	16x14	452	562	512	622	552	662
SICF-630	634	734	698	16x14	502	632	562	692	602	732
SICF-710	714	814	775	16x14	562	712	622	772	662	812
SICF-800	804	908	861	24x14	632	802	692	862	732	902
SICF-900	904	1004	958	24x14	712	902	772	962	812	1002
SICF-1000	1005	1105	1067	24x14	802	1002	862	1062	902	1102
SICF-1120	1125	1225	1200	32x18	902	1122	962	1192	1022	1242
SICF-1250	1255	1355	1337	32x18	1002	1252	1062	1322	1122	1372
SICF-1400	1405	1505	1475	32x18	1122	1402	1192	1472	1242	1522