

LOW PRESSURE CENTRIFUGAL FANS

SICF-LP: single inlet, centrifugal fan, high pressure



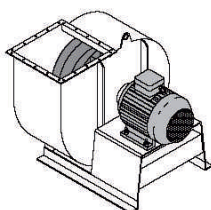
fan in thermal & sound enclosure

Application: used for clean air movement, up to max. temperature of medium 60°C (continuous duty)

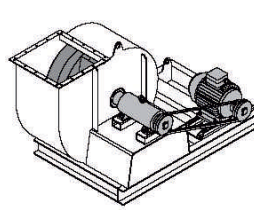
Casing: made of steel, with cleanout door and drain hole, with anti-corrosion protection (either hot dip galvanized or paint coating)

Drive:

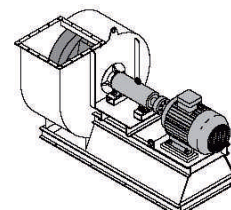
- direct drive with foot mounted motor D3 (standard) – type drive 1
- direct with flange mounted D5 motor – type drive 1
- belt drive – type drive 2
- coupling drive – type drive 4



direct drive
(drive 1)



belt drive
(drive 2)



coupling drive
(drive 4)

Sizes: 250 - 1120

Motor:

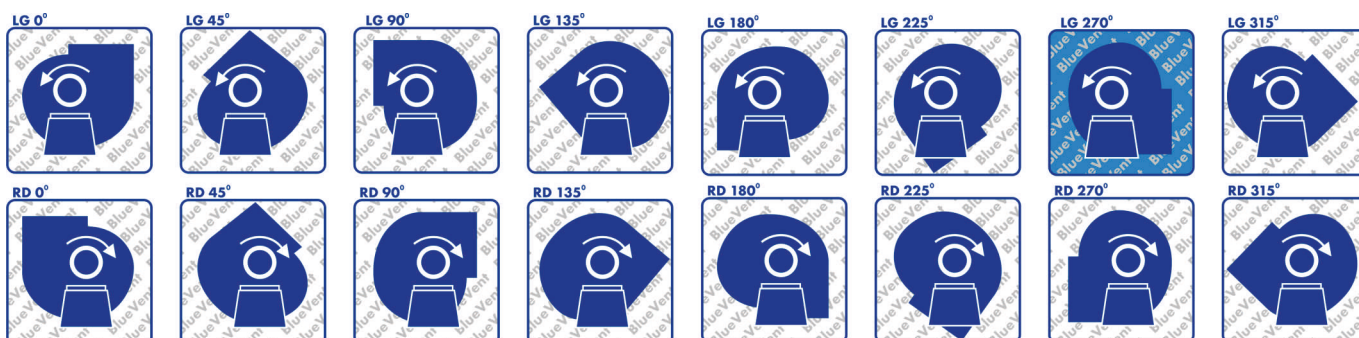
- motor with IP55, insulation class F
- voltage 400V/690V, 50 Hz

Customized solutions:

- Fans with higher IP, with different than standard voltage and frequency, with motor ready for inverter
- Fans for continuous duty working in temperatures of 150 °C, 300 °C or 400 °C
- Fans for movement of other than clean air: fume exhaust, dust control and others.
- Any casing positions

Casing position:

Standard fan position is LG 270

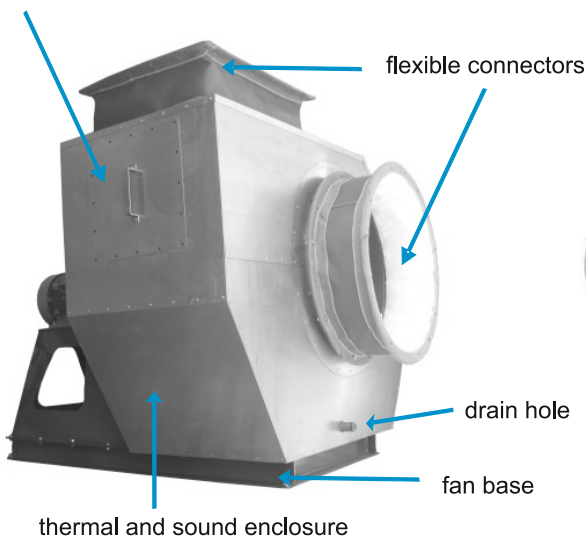




Additional accessories:

- Inlet grid
- Motor base
- Vibration isolation pads
- Flexible connections
- Thermal & sound enclosure
- Suction box
- Silencer
- Cooling disk

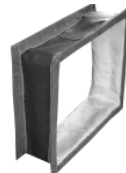
cleanout door



silencer



suction box



vibration pads

Coding:

SICF — **LP** — **D3FU** — **900**

fan type

pressure

drive

inlet diameter [mm]

SI - single inlet fan

CF - centrifugal fan

LP - low

MP - medium

HP - high

SHP - super high

XHP - extra high

XMHP - extra max high

B - belt (drive 2)

C - coupling (drive 4)

D - direct (drive 1)

D3 - foot mounted

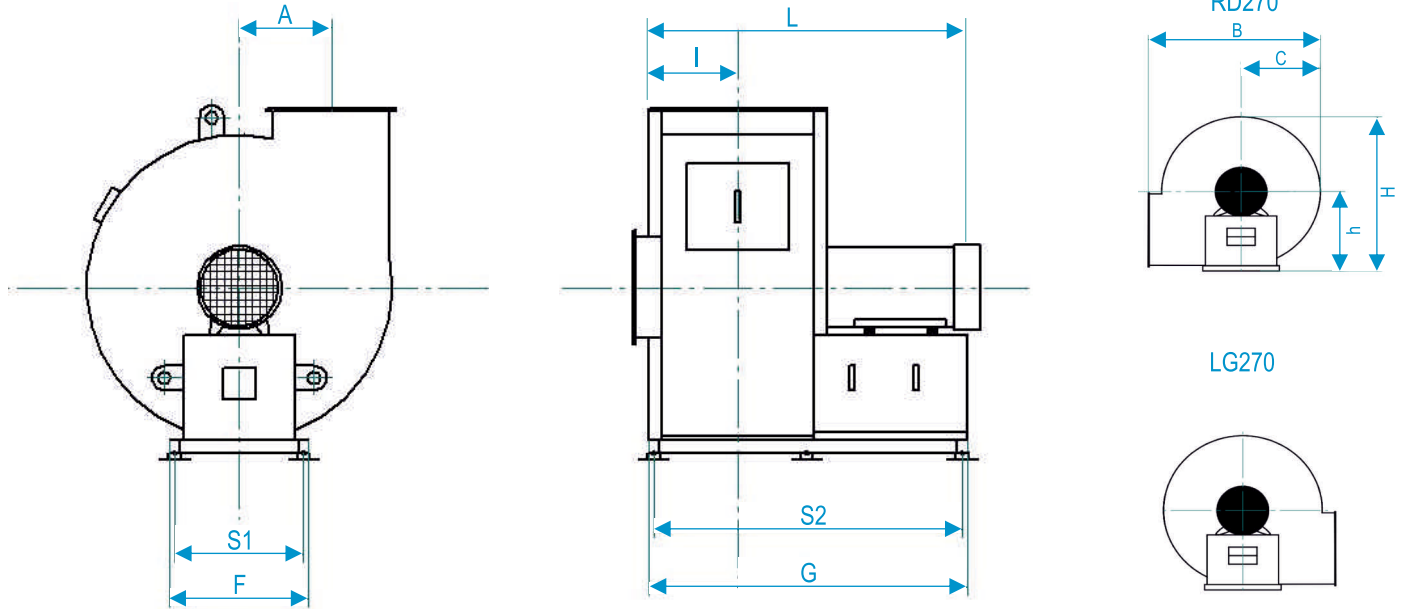
D5 - flange mounted

FU - inverter



Dimensions [mm]:

**DIRECT DRIVE
(drive 1)**

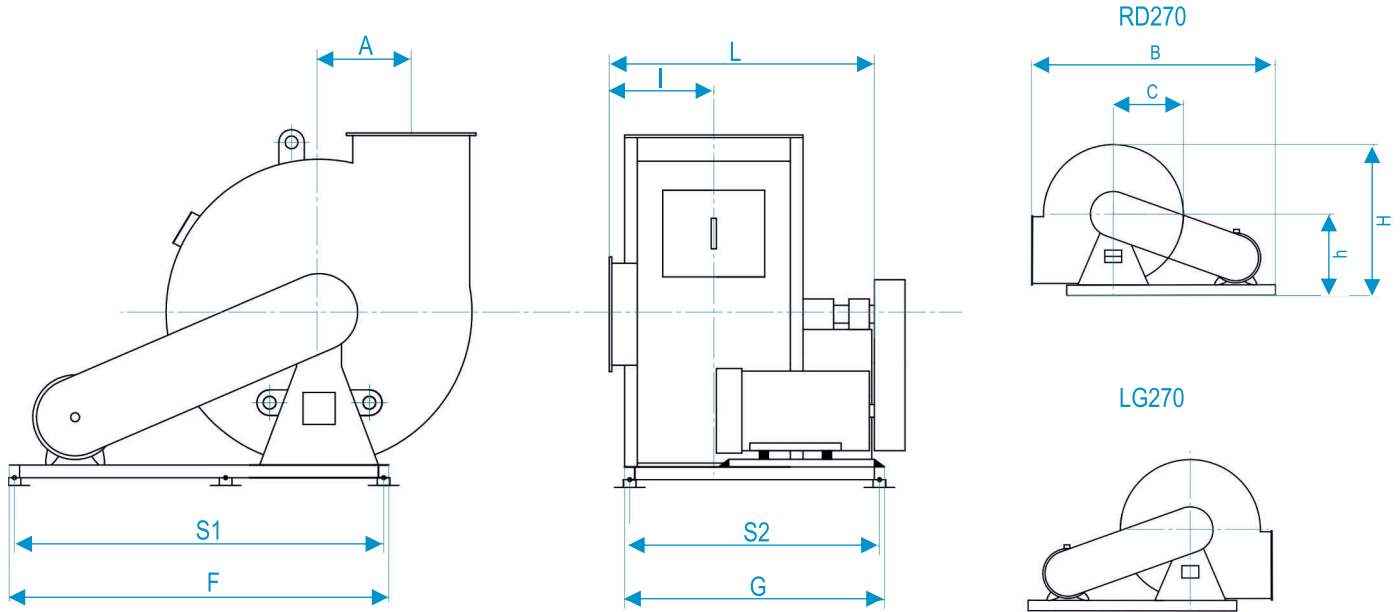


Type	Dimensions [mm]									Weight (without motor) [kg]
	B	C	H	h	A	F	G	L	I	
SICF-LP-D3-315	585	317	713	443	194,8	400	600	600	175	70
SICF-LP-D3-355	649	354	788	485	218	450	710	710	180	80
SICF-LP-D3-400	720	396	892	554	244	500	840	840	208	100
SICF-LP-D3-450	810	443	986	608	275	560	900	900	228	130
SICF-LP-D3-500	901	496	1091	668	309	630	1000	1000	250	160
SICF-LP-D3-560	1002	555	1230	757	344	710	1120	1120	275	200
SICF-LP-D3-630	1120	627	1403	868	386	800	1250	1250	305	250
SICF-LP-D3-710	1257	701	1522	924	433	900	1400	1400	335	330
SICF-LP-D3-800	1400	785	1710	1040	485	1000	1400	1400	385	420
SICF-LP-D3-900	1560	879	1898	1148	543	1120	1500	1500	425	540
SICF-LP-D3-1000	1740	985	2110	1270	614	1250	1600	1600	468	680
SICF-LP-D3-1120	1950	1103	2365	1425	690	1400	1900	1900	520	910
SICF-LP-D3-1250	2176	1235	2630	1578	778	1600	2000	2000	572	1120
SICF-LP-D3-1400	2430	1384	2930	1750	814,8	1800	2200	2200	652	1580



Dimensions [mm]:

**BELT DRIVE
(drive 2)**

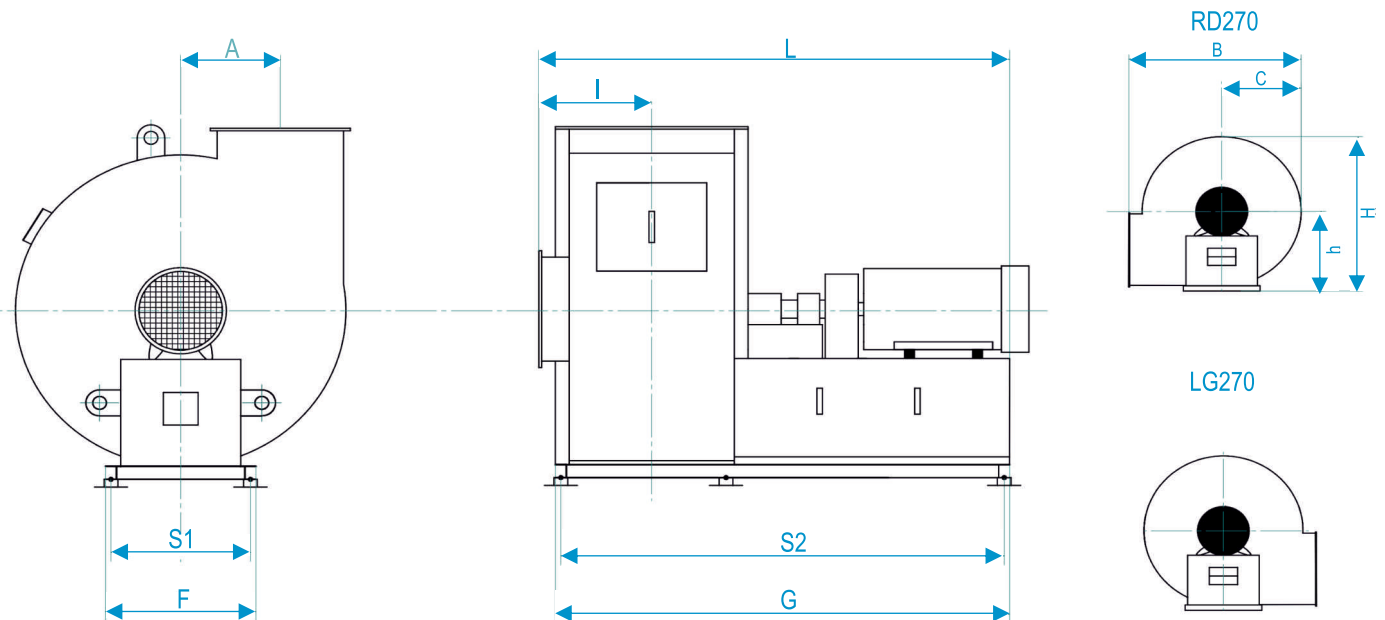


Type	Dimensions [mm]									Weight (without motor) [kg]
	B	C	H	h	A	F	G	L	I	
SICF-LP-B-315	968	700	713	443	194,8	900	630	630	175	100
SICF-LP-B-355	1070	775	788	485	218	1000	660	660	180	120
SICF-LP-B-400	1194	870	892	554	244	1120	800	800	208	150
SICF-LP-B-450	1337	970	986	608	275	1250	800	800	228	190
SICF-LP-B-500	1490	1085	1091	668	309	1400	850	850	250	230
SICF-LP-B-560	1692	1245	1230	757	344	1600	950	950	275	290
SICF-LP-B-630	1893	1400	1403	868	386	1800	1050	1050	305	360
SICF-LP-B-710	2106	1550	1522	924	433	2000	1200	1200	335	440
SICF-LP-B-800	2315	1700	1710	1040	485	2200	1300	1300	385	560
SICF-LP-B-900	2521	1840	1898	1148	543	2400	1350	1350	425	700
SICF-LP-B-1000	2730	1975	2110	1270	614	2600	1400	1400	468	880
SICF-LP-B-1120	2947	2100	2365	1425	690	2800	1600	1600	520	1150
SICF-LP-B-1250	3141	2200	2630	1578	778	3000	1750	1750	572	1400
SICF-LP-B-1400	3446	2400	2930	1750	814,8	3300	2000	2000	652	1900



**COUPLING DRIVE
(drive 4)**

Dimensions [mm]:

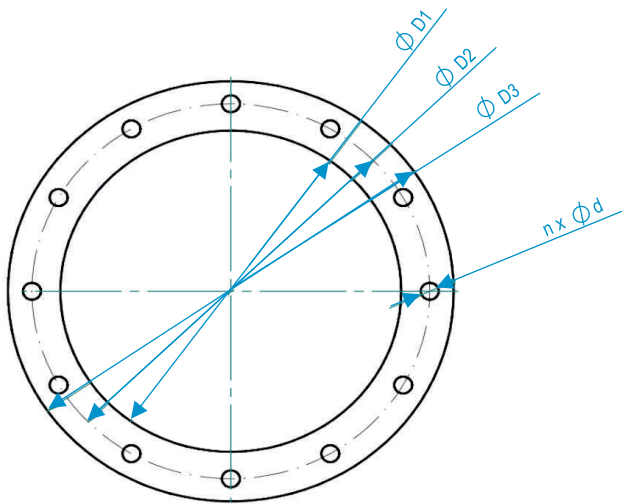


Type	Dimensions [mm]									Weight (without motor) [kg]
	B	C	H	h	A	F	G	L	I	
SICF-LP-C-315	585	317	713	443	194,8	400	1000	1000	175	100
SICF-LP-C-355	649	354	788	485	218	450	1150	1150	180	120
SICF-LP-C-400	720	396	892	554	244	500	1400	1400	208	160
SICF-LP-C-450	810	443	986	608	275	560	1450	1450	228	200
SICF-LP-C-500	901	496	1091	668	309	630	1500	1500	250	240
SICF-LP-C-560	1002	555	1230	757	344	710	1600	1600	275	300
SICF-LP-C-630	1120	627	1403	868	386	800	1900	1900	305	360
SICF-LP-C-710	1257	701	1522	924	433	900	2000	2000	335	450
SICF-LP-C-800	1400	785	1710	1040	485	1000	2100	2100	385	560
SICF-LP-C-900	1560	879	1898	1148	543	1120	2200	2200	425	690
SICF-LP-C-1000	1740	985	2110	1270	614	1250	2250	2250	468	880
SICF-LP-C-1120	1950	1103	2365	1425	690	1400	2600	2600	520	1160
SICF-LP-C-1250	2176	1235	2630	1578	778	1600	2750	2750	572	1400
SICF-LP-C-1400	2430	1384	2930	1750	814,8	1800	3200	3200	652	1900

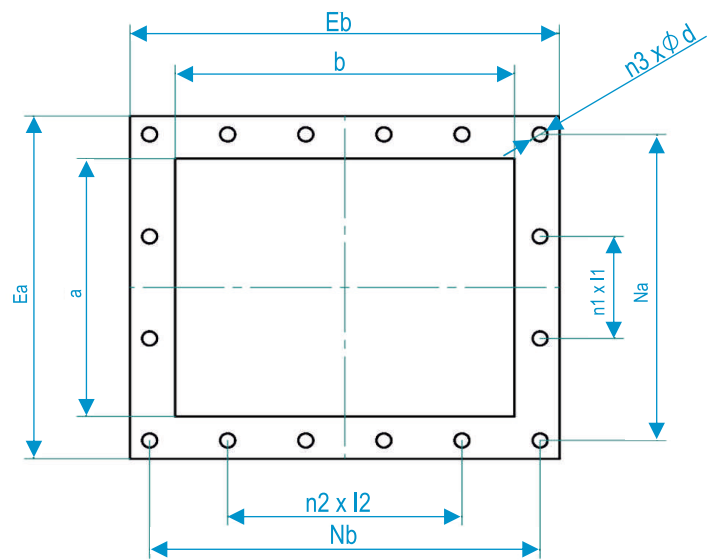


Flexible connections [mm]:

Inlet



Outlet



Type	Inlet connection				Outlet connection					
	D1	D2	k	n x d	a	b	Na	Nb	Ea	Eb
SICF-200	203	273	241	8x11,5	162	202	196	236	222	262
SICF-225	227	297	265	8x11,5	182	226	216	260	242	286
SICF-250	253	323	292	8x11,5	202	252	236	286	262	312
SICF-280	283	363	332	8x11,5	226	282	260	316	286	342
SICF-315	318	398	366	8x11,5	252	317	286	351	312	377
SICF-355	358	438	405	8x11,5	282	357	316	391	342	417
SICF-400	404	484	448	12x11,5	317	402	351	436	377	462
SICF-450	454	534	497	12x11,5	357	452	391	512	457	552
SICF-500	504	584	551	12x11,5	402	502	436	562	502	602
SICF-560	564	664	629	16x14	452	562	512	622	552	662
SICF-630	634	734	698	16x14	502	632	562	692	602	732
SICF-710	714	814	775	16x14	562	712	622	772	662	812
SICF-800	804	908	861	24x14	632	802	692	862	732	902
SICF-900	904	1004	958	24x14	712	902	772	962	812	1002
SICF-1000	1005	1105	1067	24x14	802	1002	862	1062	902	1102
SICF-1120	1125	1225	1200	32x18	902	1122	962	1192	1022	1242
SICF-1250	1255	1355	1337	32x18	1002	1252	1062	1322	1122	1372
SICF-1400	1405	1505	1475	32x18	1122	1402	1192	1472	1242	1522