



SICF-MP



BlueVent

A I R S Y S T E M S

MEDIUM PRESSURE CENTRIFUGAL FANS

SICF-MP: single inlet, centrifugal fan, high pressure



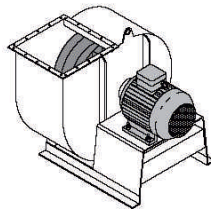
fan in thermal & sound enclosure

Application: used for clean air movement, up to max. temperature of medium 60°C (continuous duty)

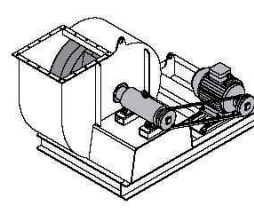
Casing: made of steel, with cleanout door and drain hole, with anti-corrosion protection (either hot dip galvanized or paint coating)

Drive:

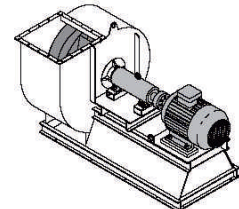
- direct drive with foot mounted motor D3 (standard) – type drive 1
- direct with flange mounted D5 motor – type drive 1
- belt drive – type drive 2
- coupling drive – type drive 4



direct drive (drive 1)



belt drive (drive 2)



coupling drive (drive 4)

Sizes: 250 - 1120

Motor:

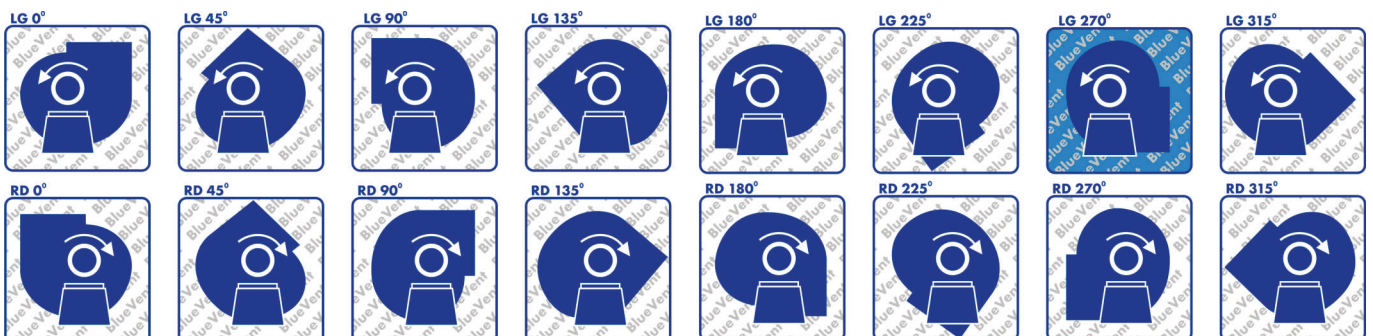
- motor with IP55, insulation class F
- voltage 400V/690V, 50 Hz

Customized solutions:

- Fans with higher IP, with different than standard voltage and frequency, with motor ready for inverter
- Fans for continuous duty working in temperatures of 150 °C, 300 °C or 400 °C
- Fans for movement of other than clean air: fume exhaust, dust control and others.
- Any casing positions

Casing position:

Standard fan position is LG 270

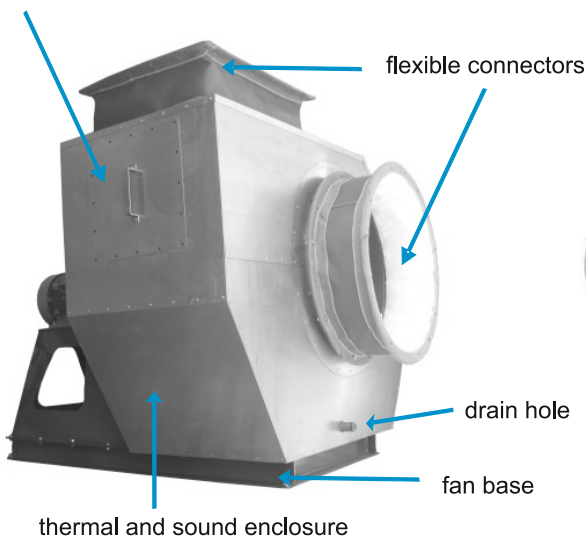




Additional accessories:

- Inlet grid
- Motor base
- Vibration isolation pads
- Flexible connections
- Thermal & sound enclosure
- Suction box
- Silencer
- Cooling disk

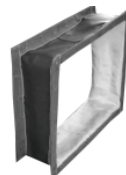
cleanout door



silencer



suction box



vibration pads

Coding:

SICF — **MP** — **D3FU** — **900**

fan type

pressure

drive

inlet diameter [mm]

SI - single inlet fan

CF - centrifugal fan

LP - low

MP - **medium**

HP - high

SHP - super high

XHP - extra high

XMHP - extra max high

B - belt (drive 2)

C - coupling (drive 4)

D - direct (drive 1)

D3 - foot mounted

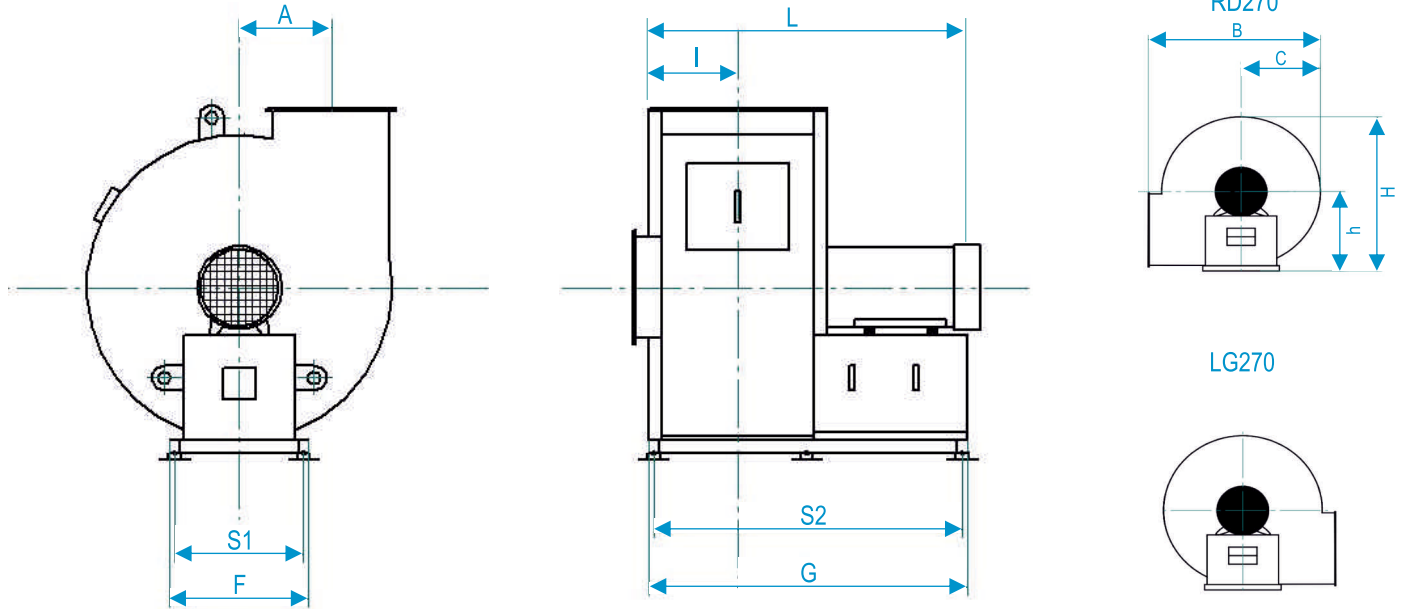
D5 - flange mounted

FU - inverter



**DIRECT DRIVE
(drive 1)**

Dimensions [mm]:

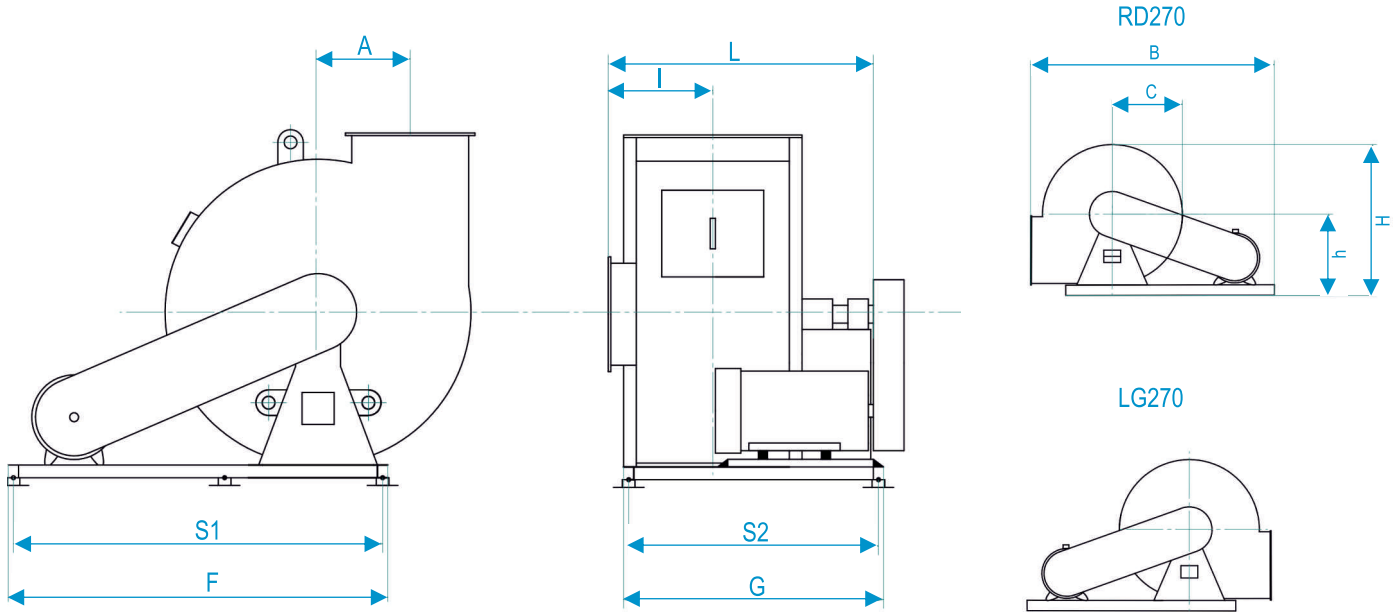


Type	Dimensions [mm]									Weight (without motor) [kg]
	B	C	H	h	A	F	G	L	I	
SICF-MP-D3-280	585	317	713	443	211	450	650	650	144	70
SICF-MP-D3-315	649	354	788	485	236	400	600	600	156	80
SICF-MP-D3-355	720	396	892	554	264	450	710	710	160	100
SICF-MP-D3-400	810	443	986	608	297	500	840	840	185	130
SICF-MP-D3-450	901	496	1091	668	334	560	900	900	203	160
SICF-MP-D3-500	1002	555	1230	757	362	630	1000	1000	223	200
SICF-MP-D3-560	1120	627	1403	868	417	710	1120	1120	245	250
SICF-MP-D3-630	1257	701	1522	924	468	800	1250	1250	272	330
SICF-MP-D3-710	1400	785	1710	1040	525	900	1400	1400	299	420
SICF-MP-D3-800	1560	879	1898	1148	588	1000	1400	1400	343	540
SICF-MP-D3-900	1740	985	2110	1270	664	1120	1500	1500	379	680
SICF-MP-D3-1000	1950	1103	2365	1425	746	1250	1600	1600	417	910
SICF-MP-D3-1120	2176	1235	2630	1578	841	1400	1900	1900	463	1120
SICF-MP-D3-1250	2430	1384	2930	1750	943	1600	2000	2000	510	1580



**BELT DRIVE
(drive 2)**

Dimensions [mm]:

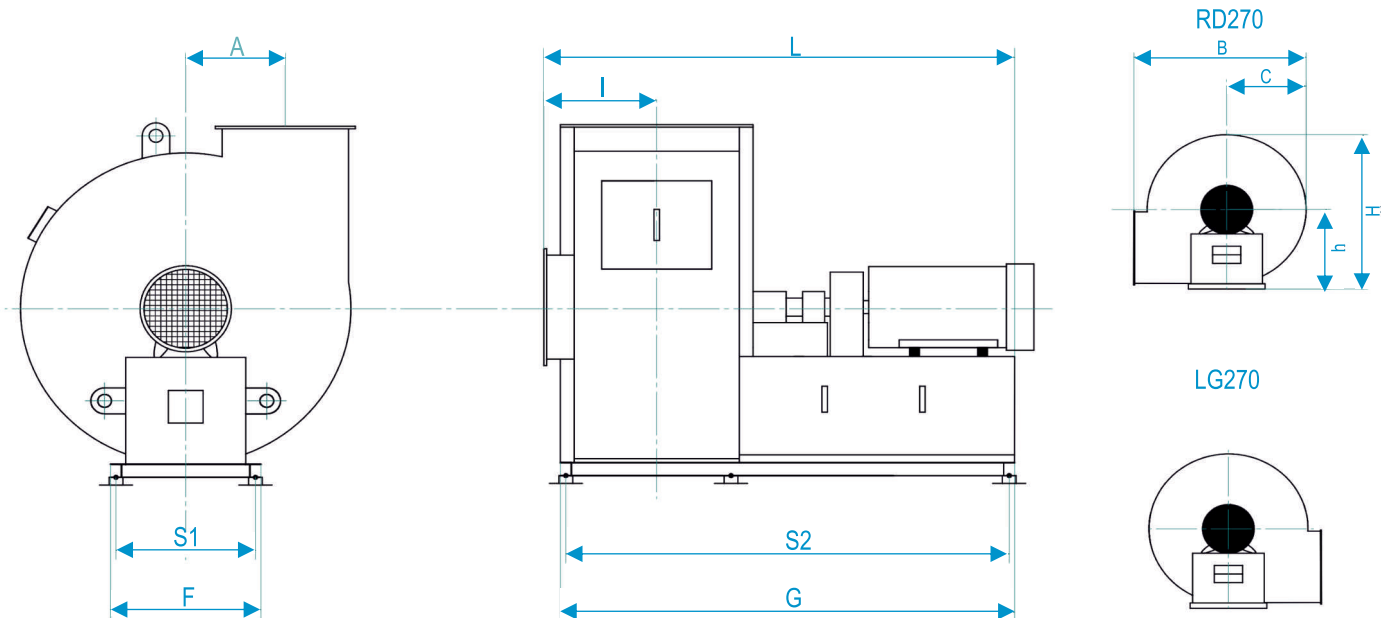


Type	Dimensions [mm]									Weight (without motor) [kg]
	B	C	H	h	A	F	G	L	I	
SICF-MP-B-280	968	700	713	443	211	900	630	630	144	100
SICF-MP-B-315	1070	775	788	485	236	1000	660	660	156	120
SICF-MP-B-355	1194	870	892	554	264	1120	800	800	160	150
SICF-MP-B-400	1337	970	986	608	297	1250	800	800	185	190
SICF-MP-B-450	1490	1085	1091	668	334	1400	850	850	203	230
SICF-MP-B-500	1692	1245	1230	757	362	1600	950	950	223	290
SICF-MP-B-560	1893	1400	1403	868	417	1800	1050	1050	245	360
SICF-MP-B-630	2106	1550	1522	924	468	2000	1200	1200	272	440
SICF-MP-B-710	2315	1700	1710	1040	525	2200	1300	1300	299	560
SICF-MP-B-800	2521	1840	1898	1148	588	2400	1350	1350	343	700
SICF-MP-B-900	2730	1975	2110	1270	664	2600	1400	1400	379	880
SICF-MP-B-1000	2947	2100	2365	1425	746	2800	1600	1600	417	1150
SICF-MP-B-1120	3141	2200	2630	1578	841	3000	1750	1750	463	1400
SICF-MP-B-1250	3446	2400	2930	1750	943	3300	2000	2000	510	1900



COUPLING DRIVE (drive 4)

Dimensions [mm]:

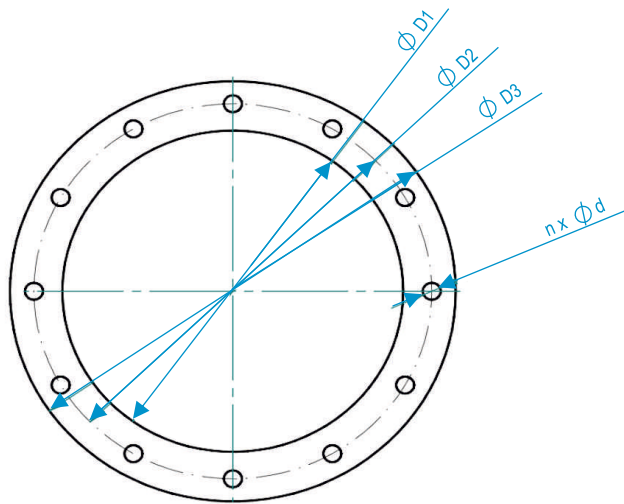


Type	Dimensions [mm]									Weight (without motor) [kg]
	B	C	H	h	A	F	G	L	I	
SICF-MP-C-280	585	317	713	443	211	400	1000	1000	144	100
SICF-MP-C-315	649	354	788	485	236	450	1150	1150	156	120
SICF-MP-C-355	720	396	892	554	264	500	1400	1400	160	160
SICF-MP-C-400	810	443	986	608	297	560	1450	1450	185	200
SICF-MP-C-450	901	496	1091	668	334	630	1500	1500	203	240
SICF-MP-C-500	1002	555	1230	757	362	710	1600	1600	223	300
SICF-MP-C-560	1120	627	1403	868	417	800	1900	1900	245	360
SICF-MP-C-630	1257	701	1522	924	468	900	2000	2000	272	450
SICF-MP-C-710	1400	785	1710	1040	525	1000	2100	2100	299	560
SICF-MP-C-800	1560	879	1898	1148	588	1120	2200	2200	343	690
SICF-MP-C-900	1740	985	2110	1270	664	1250	2250	2250	379	880
SICF-MP-C-1000	1950	1103	2365	1425	746	1400	2600	2600	417	1160
SICF-MP-C-1120	2176	1235	2630	1578	841	1600	2750	2750	463	1400
SICF-MP-C-1250	2430	1384	2930	1750	943	1800	3200	3200	510	1900

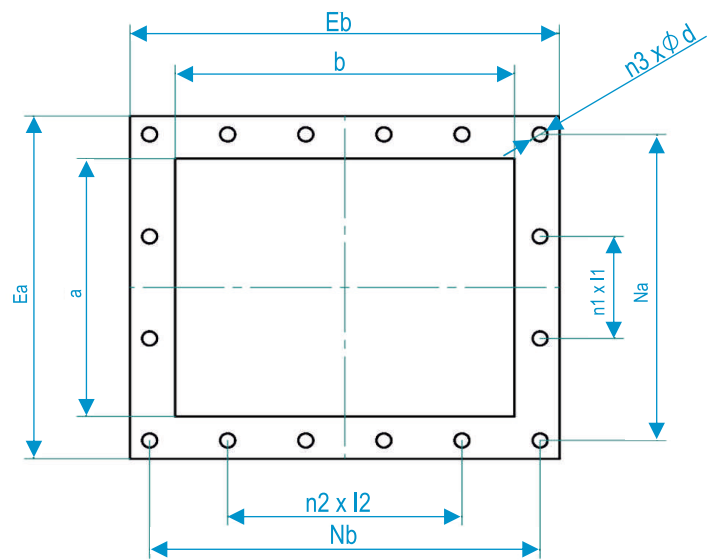


Flexible connections [mm]:

Inlet



Outlet



Type	Inlet connection				Outlet connection					
	D1	D2	k	n x d	a	b	Na	Nb	Ea	Eb
SICF-200	203	273	241	8x11,5	162	202	196	236	222	262
SICF-225	227	297	265	8x11,5	182	226	216	260	242	286
SICF-250	253	323	292	8x11,5	202	252	236	286	262	312
SICF-280	283	363	332	8x11,5	226	282	260	316	286	342
SICF-315	318	398	366	8x11,5	252	317	286	351	312	377
SICF-355	358	438	405	8x11,5	282	357	316	391	342	417
SICF-400	404	484	448	12x11,5	317	402	351	436	377	462
SICF-450	454	534	497	12x11,5	357	452	391	512	457	552
SICF-500	504	584	551	12x11,5	402	502	436	562	502	602
SICF-560	564	664	629	16x14	452	562	512	622	552	662
SICF-630	634	734	698	16x14	502	632	562	692	602	732
SICF-710	714	814	775	16x14	562	712	622	772	662	812
SICF-800	804	908	861	24x14	632	802	692	862	732	902
SICF-900	904	1004	958	24x14	712	902	772	962	812	1002
SICF-1000	1005	1105	1067	24x14	802	1002	862	1062	902	1102
SICF-1120	1125	1225	1200	32x18	902	1122	962	1192	1022	1242
SICF-1250	1255	1355	1337	32x18	1002	1252	1062	1322	1122	1372
SICF-1400	1405	1505	1475	32x18	1122	1402	1192	1472	1242	1522