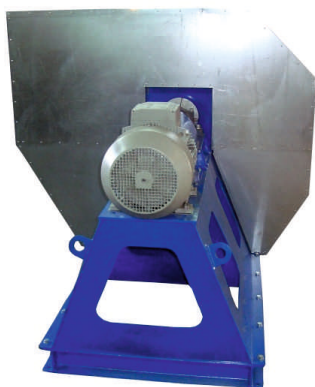




SUPER HIGH PRESSURE CENTRIFUGAL FANS

SICF-SHP: single inlet, centrifugal fan, high pressure



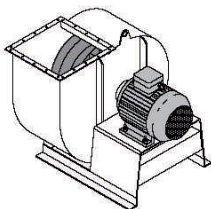
fan in thermal & sound enclosure

Application: used for clean air movement, up to max. temperature of medium 60°C (continuous duty)

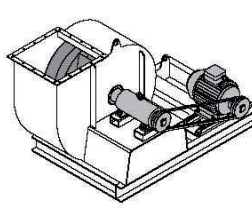
Casing: made of steel, with cleanout door and drain hole, with anti-corrosion protection (either hot dip galvanized or paint coating)

Drive:

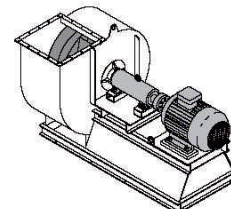
- direct drive with foot mounted motor D3 (standard) – type drive 1
- direct with flange mounted D5 motor – type drive 1
- belt drive – type drive 2
- coupling drive – type drive 4



direct drive (drive 1)



belt drive (drive 2)



coupling drive (drive 4)

Sizes: 250 - 1120

Motor:

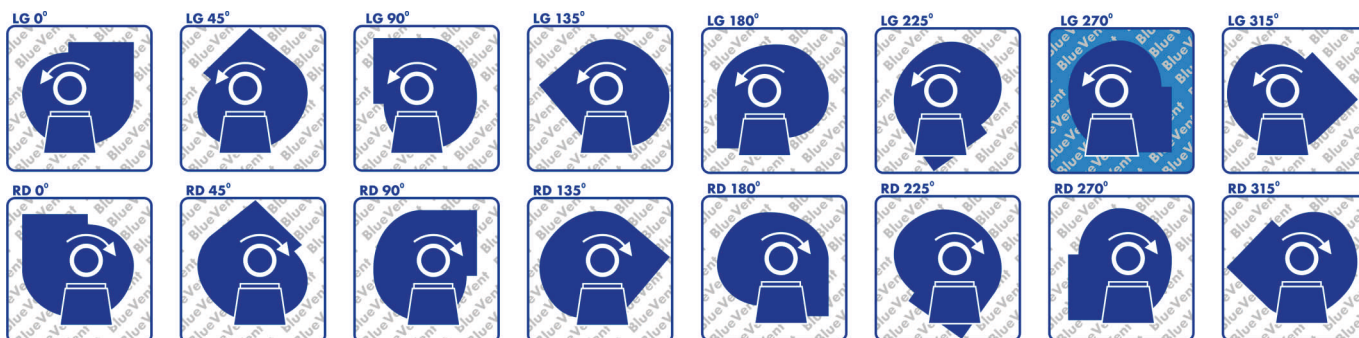
- motor with IP55, insulation class F
- voltage 400V/690V, 50 Hz

Customized solutions:

- Fans with higher IP, with different than standard voltage and frequency, with motor ready for inverter
- Fans for continuous duty working in temperatures of 150 °C, 300 °C or 400 °C
- Fans for movement of other than clean air: fume exhaust, dust control and others.
- Any casing positions

Casing position:

Standard fan position is LG 270

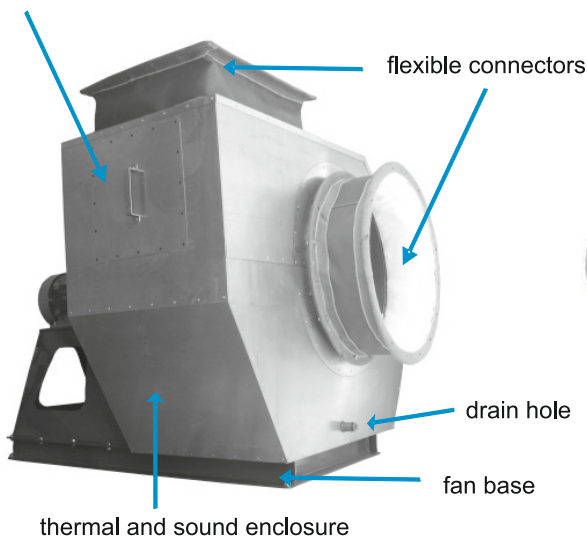




Additional accessories:

- Inlet grid
- Motor base
- Vibration isolation pads
- Flexible connections
- Thermal & sound enclosure
- Suction box
- Silencer
- Cooling disk

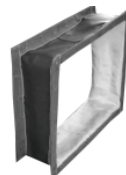
cleanout door



silencer



suction box



vibration pads

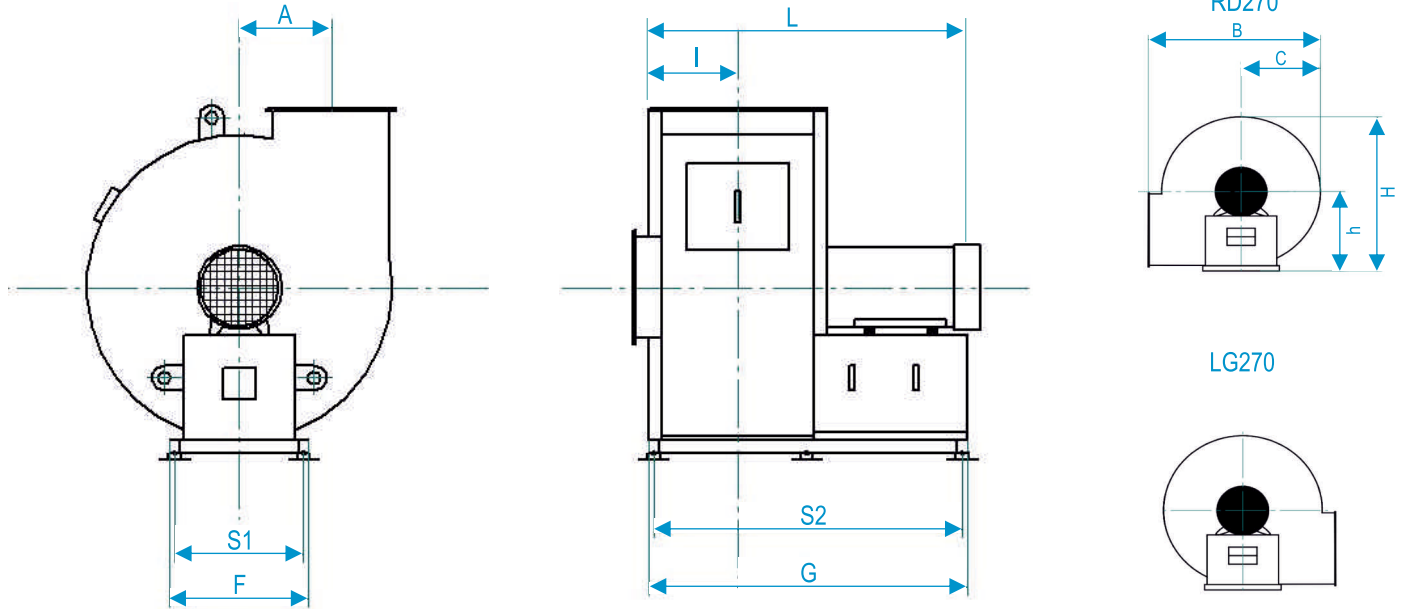
Coding:

SICF	—	SHP	—	D3FU	—	900
fan type		pressure		drive		inlet diameter [mm]
SI - single inlet fan CF - centrifugal fan		LP - low MP - medium HP - high SHP - super high XHP - extra high XMHP - extra max high		B - belt (drive 2) C - coupling (drive 4) D - direct (drive 1) D3 - foot mounted D5 - flange mounted FU - inverter		



DIRECT DRIVE (drive 1)

Dimensions [mm]:

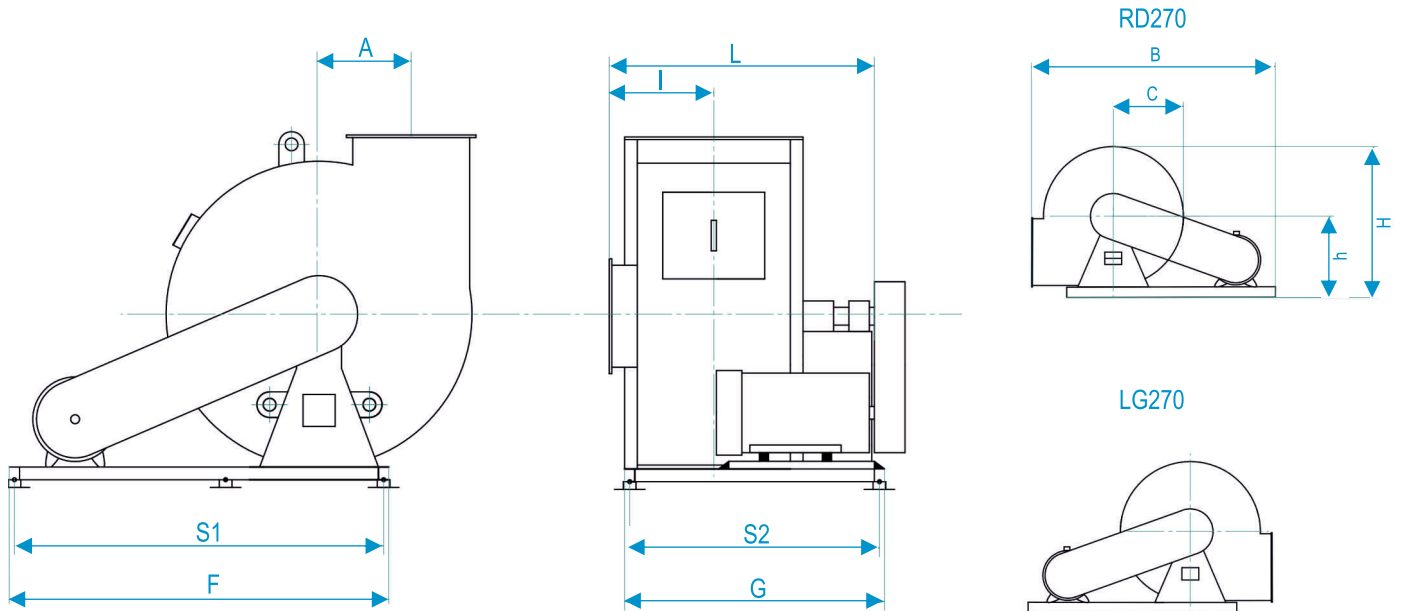


Type	Dimensions [mm]									Weight (without motor) [kg]
	B	C	H	h	A	F	G	L	I	
SICF-SHP-D3-225	684	375	828	509	307	450	650	650	140	110
SICF-SHP-D3-250	760	419	938	580	345	500	800	800	150	140
SICF-SHP-D3-280	845	469	1037	637	388	560	850	850	162	170
SICF-SHP-D3-315	935	525	1170	721	434	630	900	920	175	220
SICF-SHP-D3-355	1057	587	1294	794	486	710	1000	1020	190	270
SICF-SHP-D3-400	1178	658	1435	875	545	800	1120	1135	228	350
SICF-SHP-D3-450	1259	737	1594	966	610	900	1250	1265	248	450
SICF-SHP-D3-500	1468	830	1800	1093	687	1000	1300	1302	270	570
SICF-SHP-D3-560	1645	930	2000	1206	771	1120	1400	1426	295	730
SICF-SHP-D3-630	1837	1042	2223	1335	865	1250	1500	1522	320	970
SICF-SHP-D3-710	2050	1167	2494	1500	971	1400	1700	1721	370	1180
SICF-SHP-D3-800	2289	1307	2774	1660	1090	1600	1800	1827	407	1650
SICF-SHP-D3-900	2567	1465	3090	1842	1225	1800	2000	2027	442	2100
SICF-SHP-D3-1000	2870	1642	3465	2065	1375	1900	2100	2130	492	2750



Dimensions [mm]:

BELT DRIVE (drive 2)

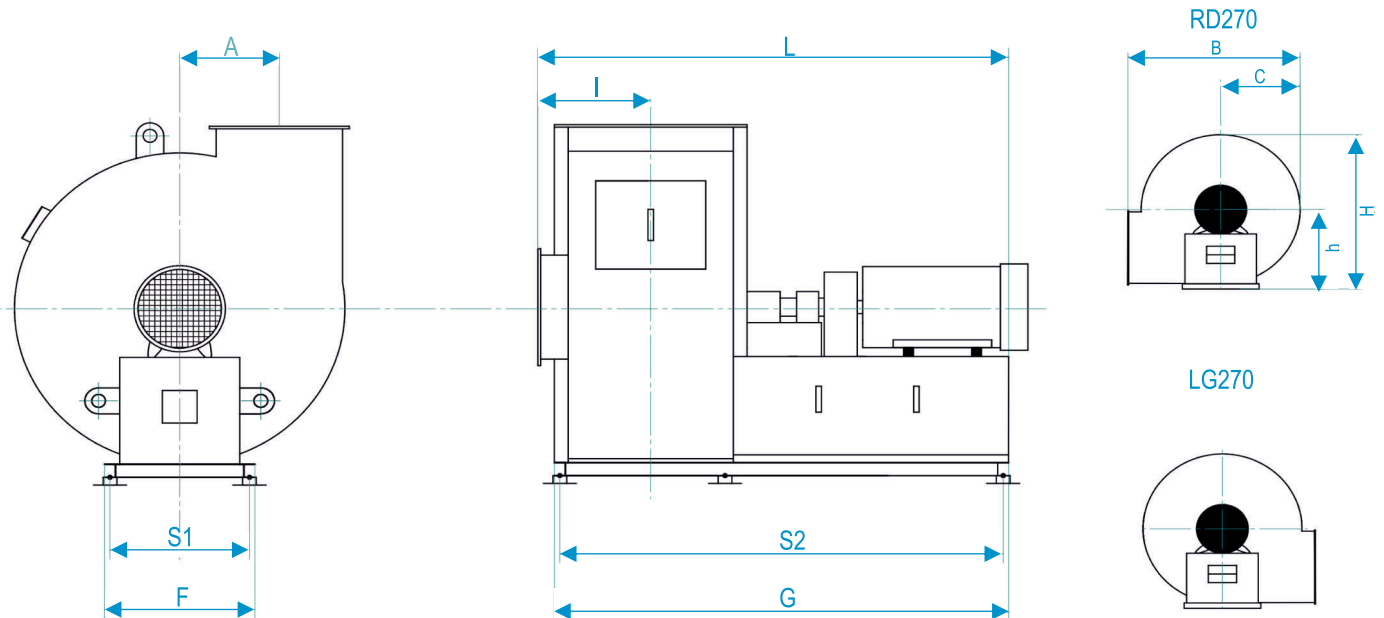


Type	Dimensions [mm]									Weight (without motor) [kg]
	B	C	H	h	A	F	G	L	I	
SICF-SHP-B-225	1081	800	828	509	307	1000	600	900	140	150
SICF-SHP-B-250	1204	895	938	580	345	1120	650	1020	150	190
SICF-SHP-B-280	1341	1000	1037	637	388	1250	710	1150	162	240
SICF-SHP-B-315	1496	1120	1170	721	434	1400	800	1270	175	300
SICF-SHP-B-355	1695	1285	1294	794	486	1600	850	1420	190	360
SICF-SHP-B-400	1915	1445	1435	875	545	1800	950	1620	228	440
SICF-SHP-B-450	2120	1600	1594	966	610	2000	1050	1820	248	540
SICF-SHP-B-500	2272	1750	1800	1093	687	2200	1200	2020	270	680
SICF-SHP-B-560	2538	1900	2000	1206	771	2400	1300	2220	295	880
SICF-SHP-B-630	2755	2040	2223	1335	865	2600	1350	2420	320	1190
SICF-SHP-B-710	2970	2175	2494	1500	971	2800	1400	2620	370	1420
SICF-SHP-B-800	3183	2300	2774	1660	1090	3000	1600	2820	407	1900
SICF-SHP-B-900	3682	2700	3090	1842	1225	3500	1750	3020	442	2500
SICF-SHP-B-1000	4002	2900	3465	2065	1375	4000	1900	3520	492	3350



**COUPLING DRIVE
(drive 4)**

Dimensions [mm]:

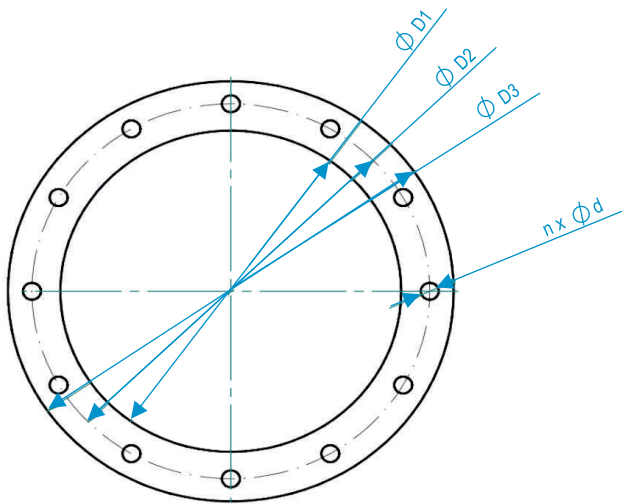


Type	Dimensions [mm]									Weight (without motor) [kg]
	B	C	H	h	A	F	G	L	I	
SICF-SHP-C-225	684	375	828	509	307	450	1100	1100	140	160
SICF-SHP-C-250	760	419	938	580	345	500	1300	1300	150	200
SICF-SHP-C-280	845	469	1037	637	388	560	1400	1400	162	240
SICF-SHP-C-315	935	525	1170	721	434	630	1500	1520	175	290
SICF-SHP-C-355	1057	587	1294	794	486	710	1700	1720	190	360
SICF-SHP-C-400	1178	658	1435	875	545	800	1900	1935	228	450
SICF-SHP-C-450	1259	737	1594	966	610	900	2100	2120	248	570
SICF-SHP-C-500	1468	830	1800	1093	687	1000	2300	2320	270	700
SICF-SHP-C-560	1645	930	2000	1206	771	1120	2400	2420	295	880
SICF-SHP-C-630	1837	1042	2223	1335	865	1250	2500	2520	320	1170
SICF-SHP-C-710	2050	1167	2494	1500	971	1400	2700	2720	370	1380
SICF-SHP-C-800	2289	1307	2774	1660	1090	1600	2800	2820	407	1850
SICF-SHP-C-900	2567	1465	3090	1842	1225	1800	3000	3030	442	2450
SICF-SHP-C-1000	2870	1642	3465	2065	1375	1900	3100	3130	492	3150

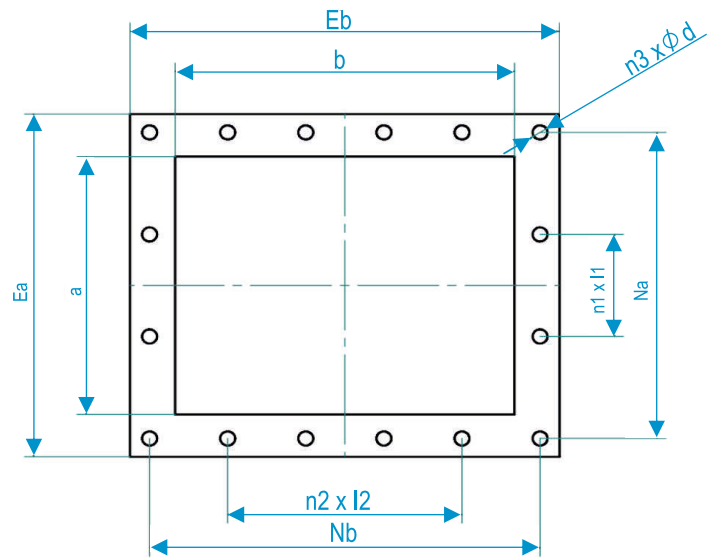


Flexible connections [mm]:

Inlet



Outlet



Type	Inlet connection				Outlet connection					
	D1	D2	k	n x d	a	b	Na	Nb	Ea	Eb
SICF-200	203	273	241	8x11,5	162	202	196	236	222	262
SICF-225	227	297	265	8x11,5	182	226	216	260	242	286
SICF-250	253	323	292	8x11,5	202	252	236	286	262	312
SICF-280	283	363	332	8x11,5	226	282	260	316	286	342
SICF-315	318	398	366	8x11,5	252	317	286	351	312	377
SICF-355	358	438	405	8x11,5	282	357	316	391	342	417
SICF-400	404	484	448	12x11,5	317	402	351	436	377	462
SICF-450	454	534	497	12x11,5	357	452	391	512	457	552
SICF-500	504	584	551	12x11,5	402	502	436	562	502	602
SICF-560	564	664	629	16x14	452	562	512	622	552	662
SICF-630	634	734	698	16x14	502	632	562	692	602	732
SICF-710	714	814	775	16x14	562	712	622	772	662	812
SICF-800	804	908	861	24x14	632	802	692	862	732	902
SICF-900	904	1004	958	24x14	712	902	772	962	812	1002
SICF-1000	1005	1105	1067	24x14	802	1002	862	1062	902	1102
SICF-1120	1125	1225	1200	32x18	902	1122	962	1192	1022	1242
SICF-1250	1255	1355	1337	32x18	1002	1252	1062	1322	1122	1372
SICF-1400	1405	1505	1475	32x18	1122	1402	1192	1472	1242	1522